

---



**METTLER TOLEDO**

**PS**

**Shipping Scales**

**PS60**

**PS6L**

**PS2+**

Technical/Operator  
Manual

For PS units with

**GEOCAL™**

©Mettler-Toledo, Inc. 2000

No part of this manual may be reproduced or transmitted in any form or by any means, electronic or mechanical, including photocopying and recording, for any purpose without the express written permission of Mettler-Toledo, Inc.

U.S. Government Restricted Rights: This documentation is furnished with Restricted Rights.

METTLER TOLEDO

# Publication Problem Report

If you find a problem with our documentation, please complete and fax this form to (864) 472-7575

Publication Name: \_\_\_\_\_

Publication Part Number: \_\_\_\_\_ Publication Date: \_\_\_\_\_

PROBLEM(S) TYPE:	DESCRIBE PROBLEM(S):	INTERNAL USE ONLY
<input type="checkbox"/> Technical Accuracy	<input type="checkbox"/> Text <input type="checkbox"/> Illustration	
<input type="checkbox"/> Completeness What information is missing?	<input type="checkbox"/> Procedure/step <input type="checkbox"/> Illustration <input type="checkbox"/> Definition <input type="checkbox"/> Example <input type="checkbox"/> Guideline <input type="checkbox"/> Feature <input type="checkbox"/> Explanation <input type="checkbox"/> Other (please explain below)	<input type="checkbox"/> <i>Info. in manual</i> <input type="checkbox"/> <i>Info. not in manual</i>
<input type="checkbox"/> Clarity What is not clear?		
<input type="checkbox"/> Sequence What is not in the right order?		
<input type="checkbox"/> Other Comments Use another sheet for additional comments.		

Your Name: \_\_\_\_\_ Location: \_\_\_\_\_

Phone Number: ( ) \_\_\_\_\_

**Fax this completed form to MTSP at (864) 472-7575**



## INTRODUCTION

This publication is provided as a guide for individuals in the operation, use, and care of this METTLER TOLEDO product.

Further information or assistance regarding this product may be obtained by writing to:

**METTLER TOLEDO**  
1900 Polaris Parkway  
Columbus, OH 43240-2020  
(614) 438-4400

## WARNING!

This equipment generates, uses, and can radiate radio frequency energy and if not installed and used properly, i.e., in accordance with the instructions manual, may cause harmful interference to radio communications. It has been tested and found to comply with the limits for a Class A computing device pursuant to Subpart J of Part 15 of FCC Rules, which are designed to provide reasonable protection against such interference when operated in a commercial environment. Operation of this equipment in a residential area may cause interference, in which case the user at his own expense will be required to take whatever measures may be required to correct the interference.

**METTLER TOLEDO RESERVES THE RIGHT TO MAKE  
REFINEMENTS OR CHANGES WITHOUT NOTICE.**

# PRECAUTIONS

READ this manual BEFORE operating or servicing this equipment.

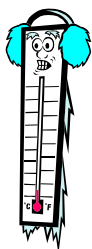
FOLLOW these instructions carefully.

SAVE this manual for future reference.

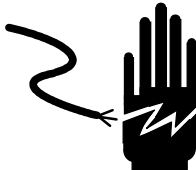

DO NOT allow untrained personnel to operate, clean, inspect, maintain, service, or tamper with this equipment.



ALWAYS DISCONNECT this equipment from the power source before cleaning or performing maintenance.



CALL METTLER TOLEDO for parts, information, and service.

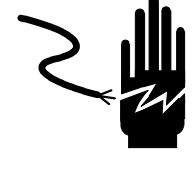




Note: If the unit has been stored or transported in below freezing temperatures, allow the unit to warm up to room temperature before turning on AC power.

	 <b>WARNING</b>
	<b>DISCONNECT ALL POWER TO THIS UNIT BEFORE INSTALLING, SERVICING, CLEANING, OR REMOVING THE FUSE. FAILURE TO DO SO COULD RESULT IN BODILY HARM AND/OR PROPERTY DAMAGE.</b>

	 <b>CAUTION</b>
	<b>OBSERVE PRECAUTIONS FOR HANDLING ELECTROSTATIC SENSITIVE DEVICES.</b>

	 <b>WARNING</b>
	<b>ONLY PERMIT QUALIFIED PERSONNEL TO SERVICE THIS EQUIPMENT. EXERCISE CARE WHEN MAKING CHECKS, TESTS AND ADJUSTMENTS THAT MUST BE MADE WITH POWER ON. FAILING TO OBSERVE THESE PRECAUTIONS CAN RESULT IN BODILY HARM.</b>

	 <b>WARNING</b>
	<b>FOR CONTINUED PROTECTION AGAINST SHOCK HAZARD, CONNECT TO PROPERLY GROUNDED OUTLET ONLY. DO NOT REMOVE THE GROUND PRONG.</b>

 <b>CAUTION</b>	
<b>BEFORE CONNECTING OR DISCONNECTING ANY INTERNAL ELECTRONIC COMPONENTS OR INTERCONNECTING WIRING BETWEEN ELECTRONIC EQUIPMENT, ALWAYS REMOVE POWER AND WAIT AT LEAST THIRTY (30) SECONDS BEFORE ANY CONNECTIONS OR DISCONNECTION'S ARE MADE. FAILURE TO OBSERVE THESE PRECAUTIONS COULD RESULT IN DAMAGE TO OR DESTRUCTION OF THE EQUIPMENT, OR BODILY HARM.</b>	

# CONTENTS

<b>1</b>	<b>Introduction.....</b>	<b>1-1</b>
	<b>Standard Features.....</b>	<b>1-1</b>
	<b>Optional Accessories.....</b>	<b>1-2</b>
	<b>Specifications.....</b>	<b>1-2</b>
	Physical Dimensions.....	1-2
	Power Requirements.....	1-3
	Environmental Requirements.....	1-3
	<b>Standards Compliance.....</b>	<b>1-4</b>
	Electrical Interfaces.....	1-5
<b>2</b>	<b>Installation and Calibration.....</b>	<b>2-1</b>
	<b>Unpacking and Setup.....</b>	<b>2-1</b>
	Installation.....	2-1
	<b>Basic Information.....</b>	<b>2-4</b>
	The Display.....	2-4
	Keys and Navigation.....	2-5
	<b>Initial Calibration using GEOCAL™.....</b>	<b>2-6</b>
	Power up Sequence.....	2-8
	<b>Full Calibration.....</b>	<b>2-8</b>
	<b>Metrological Seal Installation.....</b>	<b>2-10</b>
<b>3</b>	<b>Configuring the Setup Parameters.....</b>	<b>3-1</b>
	<b>Basic Information.....</b>	<b>3-1</b>
	Program Block Access.....	3-1
	Exit Setup.....	3-1
	<b>Configuring Setup Parameters.....</b>	<b>3-2</b>
	Push Button Zero Program Block.....	3-2
	Zero Cursor Program Block.....	3-3
	Power-up Unit Program Block.....	3-3
	Build Program Block.....	3-3
	Alternate Units Program Block.....	3-4
	Mode Program Block.....	3-4
	Filter Program Block.....	3-5
	Baud Program Block.....	3-5
	ASCII Program Block.....	3-5
	Parity Program Block.....	3-6
	Stop Program Block.....	3-6
	Protocol Program Block.....	3-6
	Sleep Program Block.....	3-7
	GEOCAL™ Program Block.....	3-7
	Calibration Program Block.....	3-7
	End Program Block.....	3-8
<b>4</b>	<b>Operating Instructions.....</b>	<b>4-1</b>
	<b>Keypad and Display.....</b>	<b>4-1</b>
	<b>Operator Functions.....</b>	<b>4-1</b>
	Parcel Weighing.....	4-2
	Unit Switching.....	4-2
	Zeroing the Scale with an Empty Container.....	4-2

	Repowering from Sleep.....	4-3
<b>5</b>	<b>Service and Maintenance.....</b>	<b>5-1</b>
	Cleaning and Regular Maintenance.....	5-1
	Troubleshooting.....	5-1
	Error Code Section.....	5-2
	Wall Transformer.....	5-2
	Main PCB.....	5-2
	Blank or Half Display.....	5-3
	No Keypad Interaction.....	5-3
	Indicator Locked.....	5-3
	Load Cell Replacement.....	5-3
	Installing the Battery Kit.....	5-3
	Installing the Base Mount Display.....	5-7
	Installing the Ball Top Transfer Platter.....	5-8
<b>6</b>	<b>Parts and Accessories.....</b>	<b>6-1</b>
	PS60/PS6L Scale Parts.....	6-2
	PS6L Parts List.....	6-3
	PS2+ Scale Parts.....	6-4
	PS2+ Parts List.....	6-5
	Weight Display Parts.....	6-6
<b>Appendix:</b>	<b>Host Interface.....</b>	<b>1</b>
	Communication Parameters.....	1
	Protocols.....	1
	ASCII Characters and Conversions.....	2
	Toledo Protocol Host Commands.....	4
	Scale Status Byte Format.....	5
	Scale Confidence Byte Format.....	5
	Calibrate Using Host Interface.....	6
	Configure Scale Parameters Using Host Interface.....	7



# 1

## Introduction

Thank you for purchasing a PS shipping scale from METTLER TOLEDO.

The legal-for-trade model of the PS60 shipping scale is a low-profile, 150 × 0.05 lb (60 × 0.02 kg) capacity scale designed to meet the needs of the legal-for-trade parcel/manifest markets. The PS60 also features an auto-ranging and/or weight classifying version with a capacity of 0 - 60 lb × .02 lb / 60 - 150 lb × .05 lb. Both are NTEP approved. (See Chapter 3 for a complete list of builds.)

The legal-for-trade model of the PS6L shipping scale is similar to the PS60 but has a higher resolution for letter weighing. It has a weight classifying, auto-ranging capacity of 0-7 lb x 0.1oz / 7-70 lb x 0.2 oz / 70–149 lb x 0.5 oz.

The PS2+ model is a large roller top scale with a capacity of 250 x 0.1 lb (100kg x 0.05kg). It is designed for parcel weighing in conveyor systems.

The PS, like all METTLER TOLEDO products is designed for maximum durability and reliability in even the most demanding application environments. The PS is manufactured in one of METTLER TOLEDO's ten ISO 9000 certified facilities so you are assured to receive a high-quality product.

The scale is designed for use in parcel shipping and other light industrial environments. This unit is not intended for wash-down or hazardous area operation, or for operation in environments of extreme dust, heat, cold, or humidity.

In the unlikely event you experience difficulties operating your scale, please contact your local distributor or METTLER TOLEDO representative from whom you purchased the scale.

---

## Standard Features

The following are standard features built into each PS shipping scale.

- 150 lb or 250 lb capacity “Eagle+” load cell
- Die-cast aluminum base and sub-platter
- Stainless steel or plastic platter
- RS-232 serial interface to the scale base
- Automatic power down mode for energy conservation
- 12 VDC, 60mA power supply unit (wall-mount transformer)
- 2-key weight indicator

---

## Optional Accessories

- 0270, 2-key weight indicator base mount display with 12 in. cable
- D-cell alkaline battery kit (for some models)
- Tower display with 14 ft cable
- Ball transfer top platter (standard on PS2+)
- Car lighter jack
- Wall mount display with 14 ft cable
- Dual wall mount displays with 6 ft cable

---

## Specifications

The PS shipping scale conforms to and operates best within the specifications described in this section.

---

## Physical Dimensions

- Base dimensions: 29 cm × 33.5 cm (11.42 in. × 13.19 in.)
- Platter dimensions: 30 cm × 35 cm (11.81 in. × 13.78 in.)
- Maximum dimensions w/indicator: 35.1 cm × 35 cm (14.09 in. × 13.78 in.)
- Height with platter: 8 cm (3.15 in.)
- Height with platter and battery: 9 cm (3.54 in.)
- Weight with display: 6.65 kg (14.7 lb.)
- Weight with display and battery: 7.75 kg (17.1 lb)
- Shipping weight: 10 kg (22.0 lb)

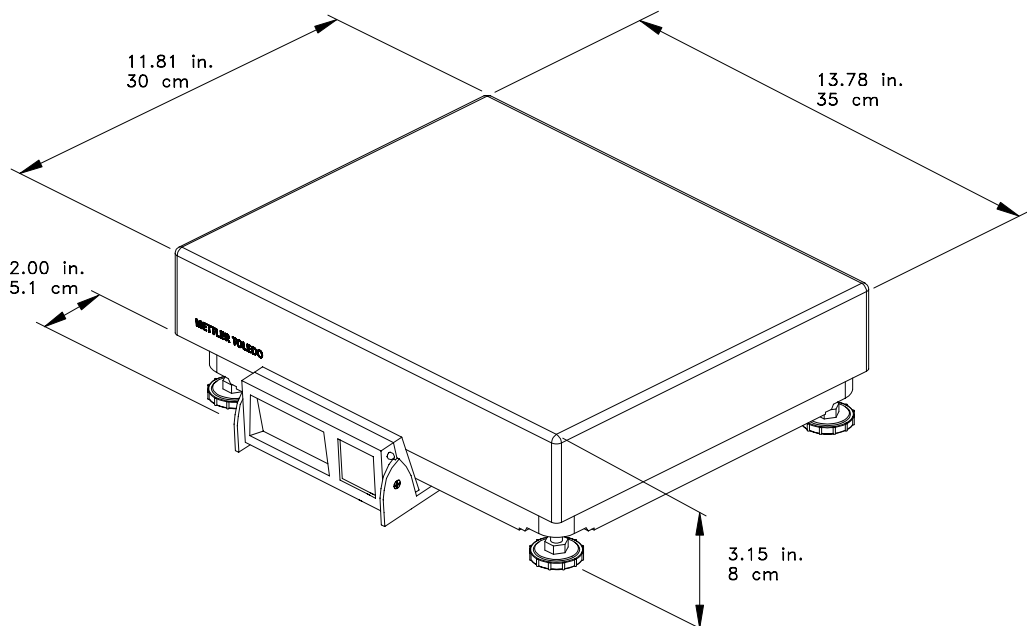


Figure 1-a: PS60 / PS6L Dimensions

- Base dimensions: 558 mm × 450 mm (21.96 in. × 17.71 in.)
- Platter dimensions: 489 mm × 387mm (19.25 in. × 15.24 in.)
- Height with platter: 152 mm (5.98 in.)
- Weight: 16.8 kg (37.0 lb.)
- Shipping weight: 19 kg (41.9 lb.)

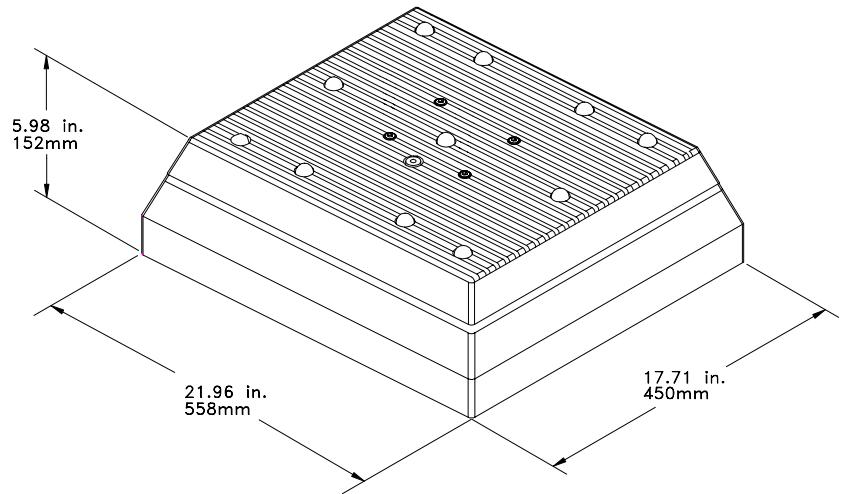


Figure 1-b: PS2+ Dimensions

---

## Power Requirements

The PS operates within an input voltage range of 7.5 to 15 VDC (at 60 mA).

- An external, wall mount 12 VDC voltage converter supplies power to the PS.
- An optional D-cell battery kit can be used to power the scale continuously for at least 40 hours. Battery life is extended with the on/off switch in the “off” position.
- An optional 12 VDC Car Lighter Jack Cable can power the PS.

---

## Environmental Requirements

The PS60 operating range is  $-10^{\circ}$  to  $+40^{\circ}\text{C}$  ( $+14^{\circ}\text{F}$  to  $+104^{\circ}\text{F}$ ) at 10 to 90% relative humidity, non-condensing. The PS6L & PS2+ operation range is  $+10^{\circ}$  to  $+40^{\circ}\text{C}$  at 10 to 90% relative humidity, non-condensing. The shipping and storage temperature range is  $-20^{\circ}$  to  $+60^{\circ}\text{C}$  ( $-4^{\circ}\text{F}$  to  $+140^{\circ}\text{F}$ ) at 0 to 95% relative humidity, non-condensing.

The scale is designed for use in parcel shipping and other light industrial environments. This unit is not intended for wash-down or hazardous area operation, or for operation in environments of extreme dust, heat, cold, or humidity.

---

## Standards Compliance

The PS60 meets or exceeds USA NIST HB-44, Australian NSC Document 100, Canadian MC, European Community EN 45501, and OIML R76 for a 3000 division, Class III parcel scale. The Product also conforms to relevant CE product requirements.

The PS6L meets or exceeds USA NIST HB-44 requirements for a 4800 division, Class III parcel scale.

Both the PS60 and PS6L have been tested and found to comply with the limits for a Class A computing device pursuant to Subpart J of Part 15 of FCC Rules.

## Electrical Interfaces

The PS scale's single board construction has a load cell connector (10 position ZIF), display connector (8 position phone jack), RS-232 interface (9-Pin DSUB), and an input power jack. The following interconnection diagram describes wiring connections for the PS shipping scale.

The PS can function as a peripheral device to a host through the RS-232 serial port. Calibration and setup can be done using the Host Interface command set. For detailed instructions describing calibration and setup using the Host Interface, please refer to the Appendix at the end of this manual.

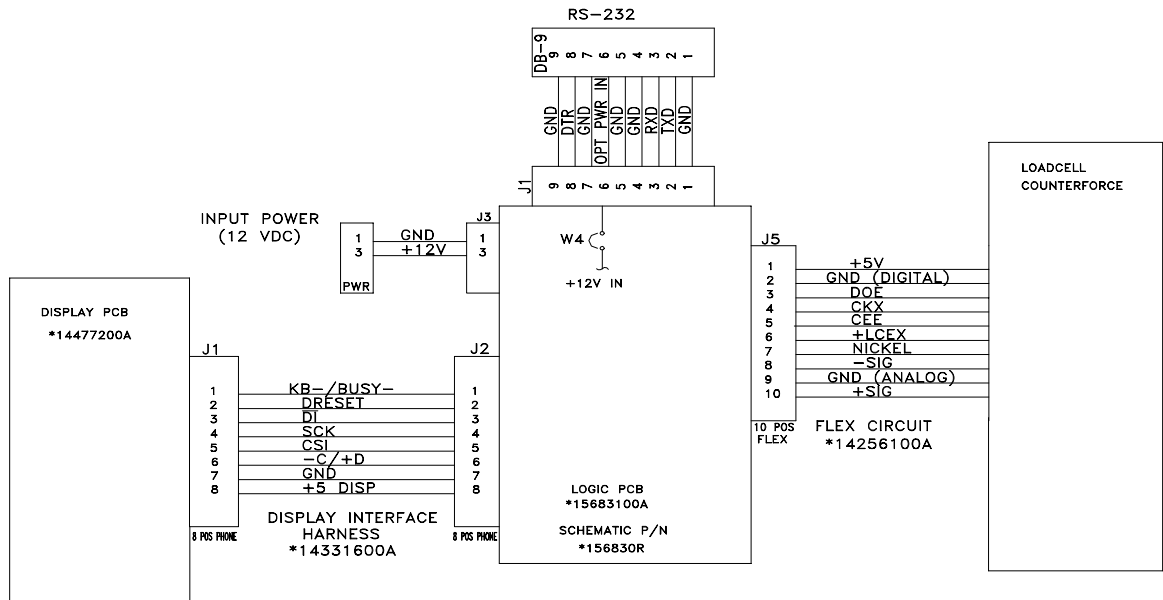


Figure 1-c: PS Electronic Interface Diagram

# 2

## Installation and Calibration

This chapter gives detailed instructions and important information you will need to install the PS successfully. Please read this chapter thoroughly before you begin installation. This information is also covered in the PS Operator Instructions.

### Unpacking and Setup

If you choose to dispose of the package, please recycle the materials.

Please inspect the package as the carrier delivers it.

- If the shipping container is damaged, check for internal damage and file a freight claim with the carrier if necessary.
- If the container is undamaged, open the box, remove the scale, and place it on a solid, flat surface.

Please keep the packing material and shipping insert in case the scale needs to be returned to METTLER TOLEDO. The PS is a precision instrument and may be permanently damaged if not shipped in factory-approved packaging.

Typical package contents for the PS include:

- PS Shipping Scale
- Installation Instructions
- Power Supply
- Optional Accessories

### Installation

The proper environment enhances the operation and longevity of the scale.

The PS shipping scale is fully assembled at the factory, and you should not have to assemble the unit. To install components other than those installed at the factory, please refer to Chapter 5 Service and Maintenance.

1. Locate a suitable environment for the scale. Refer to Chapter 1 for environmental specifications.
2. Remove the packaging material from each side of the scale. Remove the scale by grasping the bottom sides of the scale. **Do not** lift the scale by grasping the sub-platter.
3. Place the scale on a sturdy, level surface and remove any protective shipping materials under the platter.

4. Level the scale by turning the adjustable feet on the bottom of the unit. When the bubble in the bubble indicator is within the circle, the PS is level (see Figures 2-a, 2-b, 2-c). The feet must be adjusted so the scale does not rock.

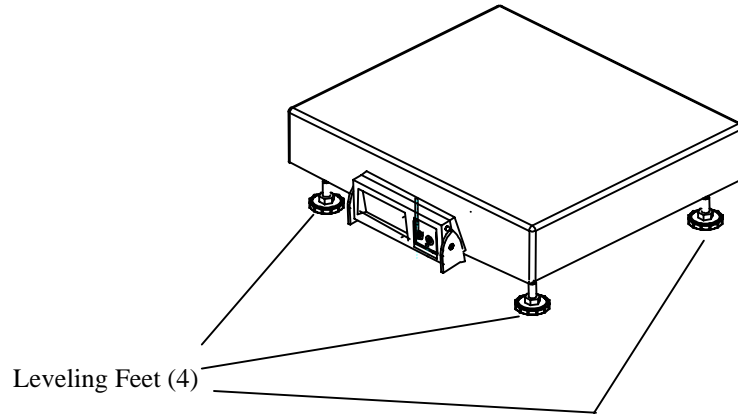


Figure 2-a: PS and PS6L Leveling Feet

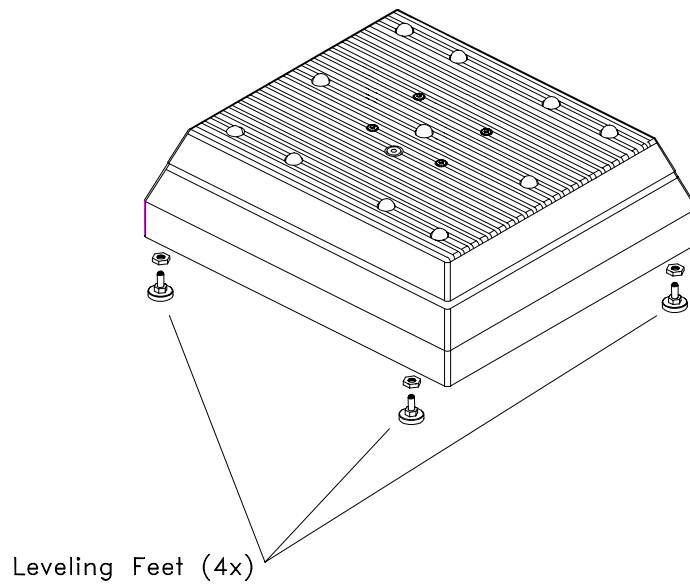
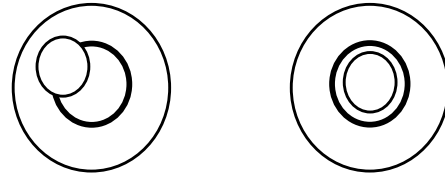


Figure 2-b: PS2+ Leveling Feet

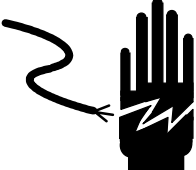


Incorrect  
Bubble is not  
within circle

Correct  
Bubble is  
within circle

Figure 2-c: Level Indicator

5. Unpack the power supply and plug it into the power jack in the scale base. The jack is recessed on the bottom of the base toward the center front. Plug the line cord into a **properly grounded** AC power outlet. Figure 2-d illustrates proper power supply connection.

	<b>WARNING!</b>
	<b>AC power sources must have proper short circuit and over current protection in accordance with local and national electrical regulations. Failure to provide this may result in bodily injury and/or property damage.</b>

NOTE: Inside of barrel is positive.

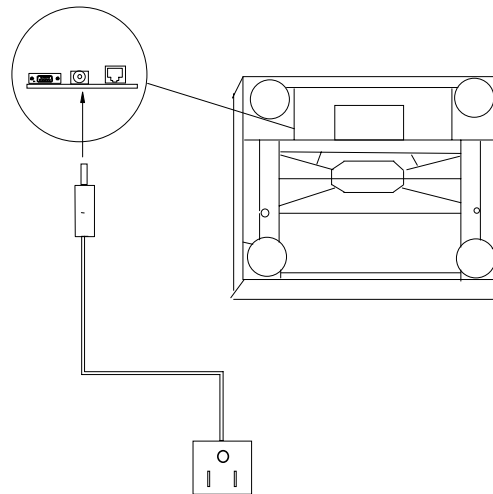


Figure 2-d: Power Cable Connection



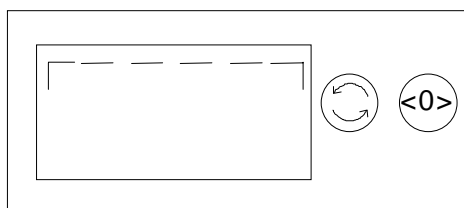
## Basic Information

The following sections describe some basic information that you will need to know as you install, calibrate, and use the PS in normal operating mode.

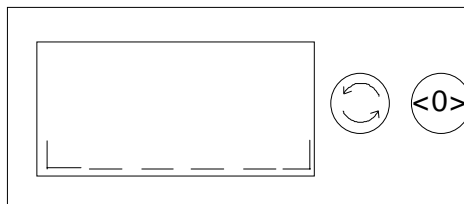
### The Display

The PS's display consists of six digits and five cursor positions. Each digit is composed of seven segments and is 12 mm high. The PS's cursor can appear above one or more of the legends printed on the display to indicate the current unit, stable conditions, zero, or options in setup mode.

The display area also indicates over-capacity and under-capacity conditions. Over- and under-capacity are indicated on the display as follows:



Over Capacity



Under Capacity

Figure 2-e: Over/Under Capacity Display

---

## Keys and Navigation

The PS keypad contains a UNITS key and a ZERO key:

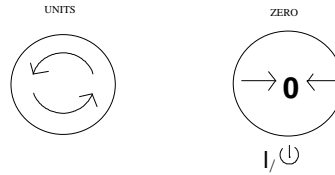


Figure 2-f: UNITS and ZERO Key

The functions for each key **in normal operating mode** are as follows:

- **UNITS**—Press UNITS to switch between the selected main units and alternate units.
- **ZERO**—Press ZERO to zero an empty scale. The reading must be within 2% of the calibrated zero.

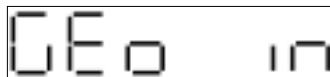
If the scale is in Sleep mode (as defined in the Sleep program block), press ZERO to “awaken” the scale. The scale then goes through its normal power-up sequence and returns to normal operating mode.

The functions for each key **in setup mode** are as follows:

- **UNITS**—Press and hold UNITS for up to 8 seconds to enter setup mode. When a program block option is displayed for selection, press UNITS to confirm the selection.
- **ZERO**—Press ZERO to scroll through a list of parameter options.

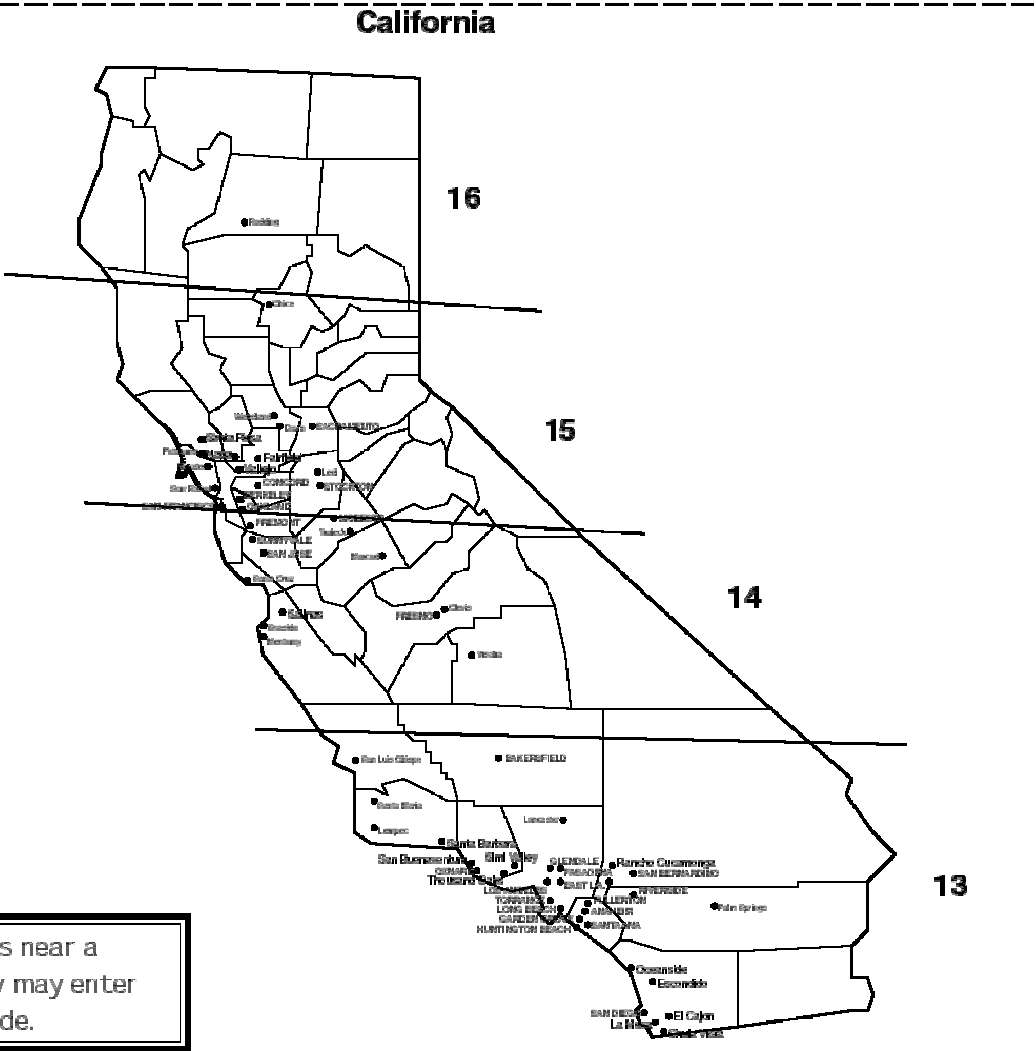
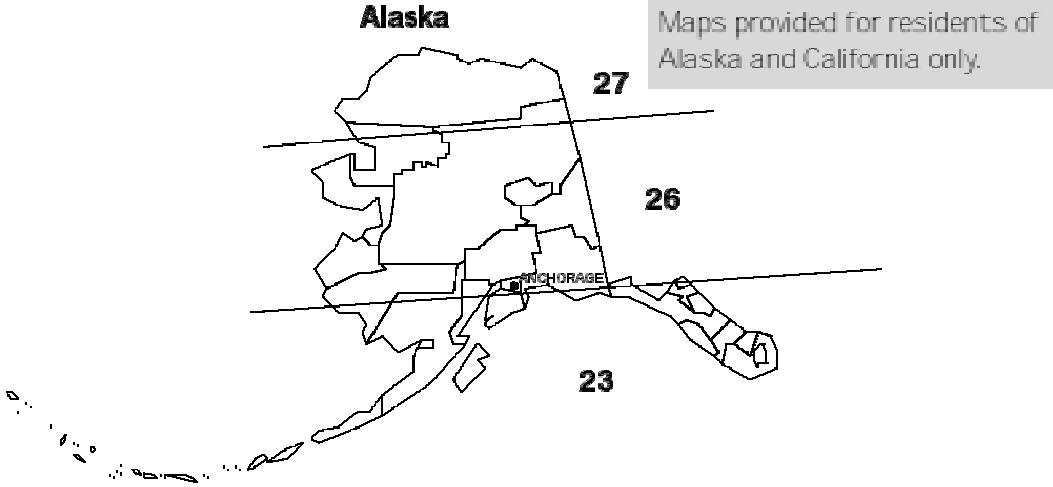
## Initial Calibration using GEOCAL™

The PS shipping scale must be calibrated when the unit is initially installed to correct for local gravity variations thereby ensuring accurate weighing results. If the GEOCAL™ capabilities of your PS unit have been activated, the unit has been pre-calibrated from the factory. If this is the case, the first time the PS is powered up from the factory it should display the **Geo in** prompt as follows:



This indicates that you must select the code for your location. The latitude and altitude of your location both effect gravity and the calibration of your scale. Therefore, it is important to select the proper code. Refer to the table below in order to determine the code for your area. If your location is not listed select closest one.

GEOCAL™ Location Codes					
State	Code	State	Code	State	Code
<b>Alabama</b>		<b>Kansas</b>	14	<b>North Dakota</b>	18
Birmingham & North	13	<b>Kentucky</b>	14	<b>Ohio</b>	
South of Birmingham	12	<b>Louisiana</b>	12	Akron & North	16
<b>Alaska</b>	See map	<b>Maine</b>	18	South of Akron	15
<b>Arizona</b>		<b>Maryland</b>	15	<b>Oklahoma</b>	13
Phoenix & North	12	<b>Massachusetts</b>	17	<b>Oregon</b>	
South of Phoenix	11	<b>Michigan</b>		Salem & North	18
<b>Arkansas</b>	13	Northwest of Lake Michigan	18	Between Oakridge & Salem	17
<b>California</b>	See map	Southeast of Lake Michigan	17	South of Oakridge	16
<b>Colorado</b>		<b>Minnesota</b>	18	<b>Pennsylvania</b>	16
Denver & North	13	<b>Mississippi</b>		<b>Rhode Island</b>	16
South of Denver	12	Kosciusko & North	13	<b>South Carolina</b>	13
<b>Connecticut</b>	16	South of Kosciusko	12	<b>South Dakota</b>	17
<b>Delaware</b>	15	<b>Missouri</b>		<b>Tennessee</b>	13
<b>Florida</b>		North of Springfield	15	<b>Texas</b>	
West Palm Beach & North	11	Springfield & South	14	Northeast of Colorado River	12
South of West Palm Beach	10	<b>Montana</b>		Southwest of Colorado River	11
<b>Georgia</b>	12	Helena & North	18	<b>Utah</b>	13
<b>Hawaii</b>	9	South of Helena	17	<b>Vermont</b>	17
<b>Idaho</b>		<b>Nebraska</b>	15	<b>Virginia</b>	14
North of Salmon River Mtns	17	<b>Nevada</b>	13	<b>Washington, DC</b>	15
South of Salmon River Mtns	16	<b>New Hampshire</b>	17	<b>Washington State</b>	18
<b>Illinois</b>		<b>New Jersey</b>	16	<b>West Virginia</b>	15
Bloomington & North	16	<b>New Mexico</b>	11	<b>Wisconsin</b>	
South of Bloomington	15	<b>New York</b>		Green Bay & North	18
<b>Indiana</b>		Albany & North	17	South of Green Bay	17
North of Indianapolis	16	South of Albany	16	<b>Wyoming</b>	
Indianapolis & South	15	<b>North Carolina</b>		North of Casper	15
<b>Iowa</b>		Raliegh & North	14	Casper & South	14
North of Des Moines	17	South of Raliegh	13		
Des Moines & South	16				



The sequence for selecting your GEOCAL™ code is as follows:

1. Press the ZERO key to display the first code option and continue pressing it to scroll through all of the available codes.
2. Press the UNITS key to select the code for your location. The display will then prompt **done**. Press the UNITS key again to restart the scale.

---

## Power-up Sequence

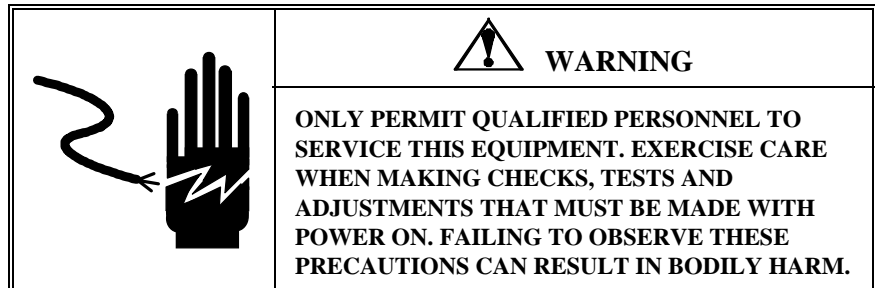
The PS goes through a power-up sequence each time power is applied or the scale is brought from its power-down ("sleep") state. The scale performs a diagnostic test on its ROM and RAM, then proceeds to normal operating mode. The power-up sequence is as follows:

1. All segments of the display characters are activated. This verifies operation of all segments.
2. The scale displays the software part number followed by the software revision status.
3. The scale then captures zero (if the zero reading is within  $\pm 10\%$  calibrated capacity on power-up) and is ready for normal operation.

To "awaken" the PS whenever it is in sleep mode, press the ZERO key.

---

## Full Calibration



You can calibrate the PS scale using the UNITS and ZERO keys, or you can calibrate the unit remotely from a computer terminal through its Host interface. Details on calibration using a Host Interface are given in the Appendix at the end of this manual.

To calibrate the PS at the scale:

1. Disconnect the power from the scale.
2. Remove the platter, break the legal-for-trade seal (if present), and remove the PCB cover plate to give access to the PCB.
3. Remove the calibration jumper (W1 in Figure 2-g).

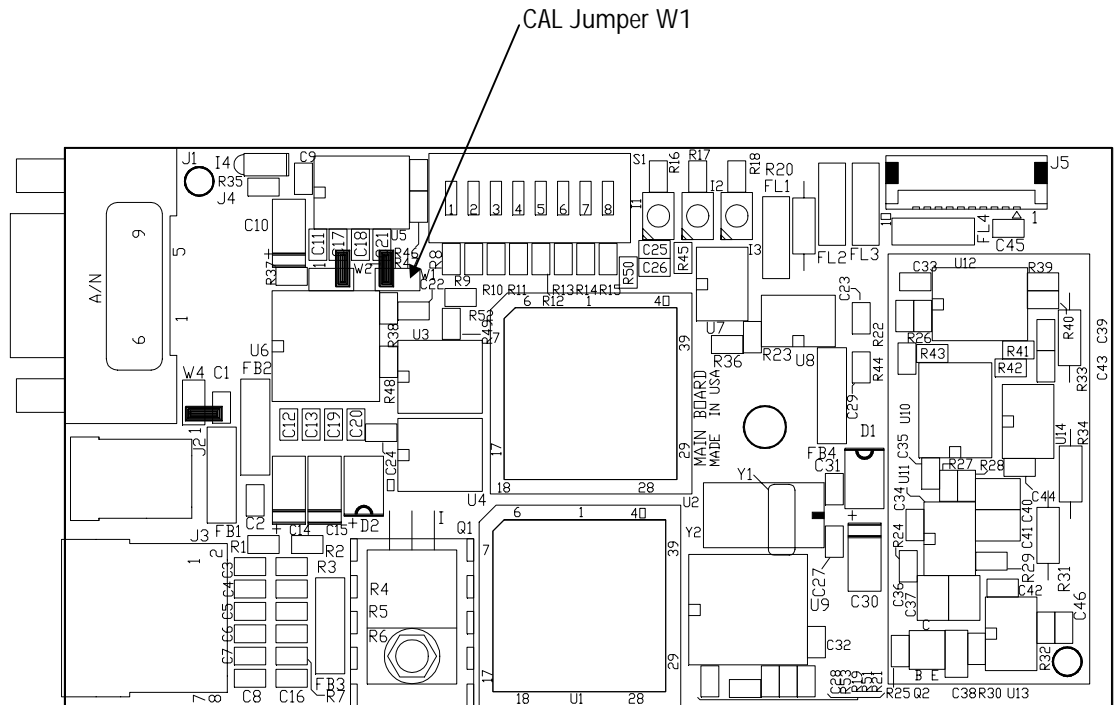


Figure 2-g: CAL Jumper on Main PCB

4. Connect the power to the scale.
5. Enter the setup mode by pressing and holding the UNITS key for up to eight seconds until the message **Setup** is displayed. Release the UNITS key.
6. Press the UNITS key several times until the **Cal** prompt appears, then press ZERO to display YES or NO. Select Yes to calibrate or select No to abort calibration. If Yes, press UNITS to begin the calibration process.
11. At the **Empty** prompt, insure that the empty platter is on the sub-platter, then press UNITS.
12. At the **Add XX** prompt the unit is indicating how much weight should be placed on the platter, only 50 lb, 20 kg, 125 lb, or 50 kg may be used. A cursor appears over either lb or kg on the lens to indicate which units are required. The value is either **one-third of the scale's capacity** (50 lb or 20 kg) for a PS60 or PS6L, or **half of the scale's capacity** (125 lb or 50 kg) for a PS2+. Place the appropriate weight on the platter, then press UNITS. The scale automatically determines a span factor then indicates **Done** while the calibration values are saved.
13. Press the UNITS key again to restart the unit.
14. Verify zero and span using the test weights.
15. Disconnect power in order to replace the calibration jumper (W1), and reassemble the scale.

The PS is now calibrated and ready to configure to your needs. Chapter 3 of this manual gives setup and configuration details.

---

## Metrological Seal Installation

If a wire seal is required for W & M requirements, the PS can be sealed after calibration and setup by installing a wire seal on the Main PCB access cover, as shown in Figure 2-h. (The PS2+ does not have a metrology seal.)

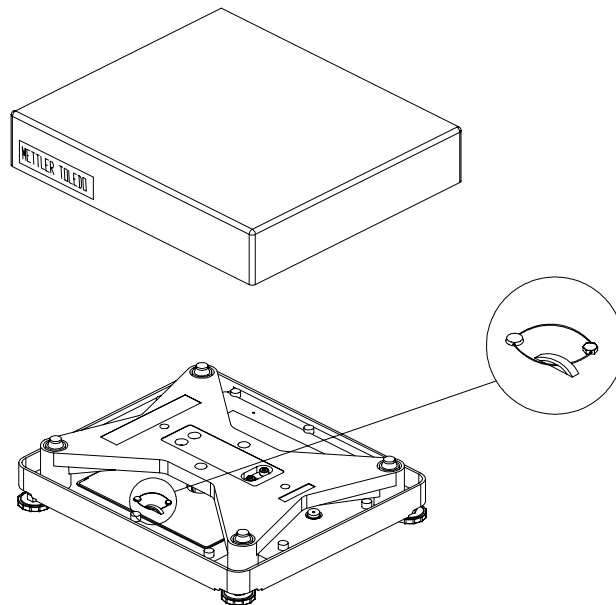


Figure 2-h: Wire Seal Installation

# 3

## Configuring the Setup Parameters

This chapter discusses basic information related to PS configuration and specific instructions on configuring each program block and operating parameter.

### Basic Setup Information

The following sections describe some basic information that you will need to know as you configure the setup parameters for the PS.

### Program Block Access

The PS's operational parameters are configured in setup mode through a series of program blocks. The program blocks are accessed as follows:

1. Press and hold the UNITS key for up to eight seconds until the message **Setup?** is displayed. Release the UNITS key. When released, the PS displays either the **Pb 0** or **Alt** prompt indicating the first program block.

### Exit Setup

Exit setup mode as follows:

1. Press UNITS to display the **End** prompt.
2. Press ZERO to display the desired exit option. Exit options include:
  - No—Do not exit setup mode at this time.
  - Save—Save all changes program block parameters then exit setup mode.
  - Abort—Exit setup mode but do not save any changes made in this session.
  - Various Defaults—Reset all program block parameters to a pre-specified set of values, then exit setup mode. For details, refer to the End Program Block section.
3. Press UNITS to carry out the displayed option. The PS automatically exits setup mode and returns to normal operating mode unless No is selected.

There are two alternate ways to exit the setup mode:



- The scale automatically leaves the setup mode after it has been calibrated.
- Disconnect the power from the scale. Changes **will not** be saved.

---

## Configuring Setup Parameters

This section describes the program blocks that govern normal operation including:

- Push Button Zero \*
- Zero Cursor \*
- Power-up Units \*
- Build \*
- Alternate Units
- Mode \*
- Filter
- Baud
- ASCII
- Parity
- Stop Bits
- Protocol
- Sleep
- GEOCAL™\*
- Calibration \*
- End

This is the order that they appear in the prompts.

\* The Push Button Zero, Zero Cursor, Power-up Units, Capacity/Increment (Build), Display Mode, GEOCAL™ Activation, and Calibrate program blocks are hidden in setup mode when the Metrology PCB jumper (W1) is in place. These program blocks are used only when the jumper is removed and the scale is being calibrated. Please refer to Chapter 2 for calibration details.

The PS can also be configured remotely through the METTLER TOLEDO Host Interface. Details for configuring the scale using the Host Interface are given in the Appendix at the end of this manual.

To configure the PS at the scale, enter the setup mode by pressing and holding the UNITS key for up to eight seconds until the message **Setup** is displayed. Release the UNITS key, then configure the PS program block parameters.

---

### Push Button Zero Program Block

The Push Button Zero program block lets you configure the range within which the PS can capture zero. The only push button zero capture range currently supported is  $\pm 2\%$ . (Metrology PCB jumper must be removed.)

To configure the program block:

1. Press UNITS to display the **Pb 0** prompt, then press ZERO.
2. Press UNITS again to accept the 2 pct option. The PS continues to the Zero Cursor program block.

---

## Zero Cursor Program Block

The Zero Cursor program block lets you enable or disable the center of zero indicator on the PS. (Metrology PCB jumper must be removed.)

To configure the program block:

1. Press UNITS to display the **0 CurS** prompt, then press ZERO.
2. Press ZERO to display the desired approval setting, enable or disable.
3. Press UNITS to accept the displayed option. The PS continues to the Power-up Unit program block.

---

## Power-up Unit Program Block

The Power up Unit program block lets you select which units will be active on the PS upon startup. This program block will effect the build options that are seen in the Build program block.

To configure the program block:

1. Press UNITS to display the **unitS** prompt, then press ZERO.
2. Press ZERO to display the desired approval setting, pounds or metric.
3. Press UNITS to accept the displayed option. The PS continues to the Build / Alternate Units program block.

---

## Build Program Block

The build program block lets you chose a capacity and increment size setting for the product based on the model you have purchased and the power-up units selection. (Metrology PCB jumper must be removed.)

To configure the program block:

1. Press UNITS to display the **buiLd** prompt, then press ZERO.
2. Press ZERO to display the desired approval setting. Option may vary as follows:

**Standard PS60, 3000d**

<u>Power-up units = Pounds</u>		<u>Power-up units = Metric</u>	
150-02	150 x 0.02 lb.	60-01	60 x 0.01 kg
150-05	150 x 0.05 lb. *	60-02	60 x 0.02 kg
100-02	100 x 0.02 lb.	50-01	50 x 0.01 kg
		70-ni	0-50 x 0.01 kg, 50-70 x 0.05 kg

**Multi-interval PS60, 2x3000d**

<u>Power-up units = Pounds</u>		<u>Power-up units = Metric</u>	
150-02	150 x 0.02 lb.	60-01	60 x 0.01 kg
150-05	150 x 0.05 lb.	60-02	60 x 0.02 kg
100-02	100 x 0.02 lb.	50-01	50 x 0.01 kg
150-ni	0-60 x 0.02 lb., 60-150 x 0.05 lb. *	60-ni	0-30 x 0.01 kg, 30-60 x 0.02 kg
		70-ni	0-50 x 0.01 kg, 50-70 x 0.05 kg

**PS6L**

<u>Power-up units = Pounds</u>	
149-ni	0-10 lb. x 0.1 oz, 10-70 lb. x 0.2 oz, 70-150 lb. x 0.5 oz *
150-n5	0-5 x 0.005 lb., 5-25 x 0.05, 25-150 x 0.1 lb.

**PS2+**

<u>Power-up units = Pounds</u>		<u>Power-up units = Metric</u>	
250-1	250 x 0.1 lb. *	100-05	100 x 0.05 kg

\* Default for that model.

‘ni’ on the display represents Multi-Interval

‘n5’ on the display represents Multi-Interval with 0.005 lb. increment size

3. Press UNITS to accept the displayed option. The PS continues to the Alternate Units program block.

Note: the scale can only be sealed in the build that is listed on the data label.

## Alternate Units Program Block

This program block lets you enable or disable unit switching during normal operation.

To configure the program block:

1. Press UNITS to display the **ALt** prompt, then press ZERO.
2. Press ZERO to display the desired approval setting, enable or disable.
3. Press UNITS to accept the displayed option. The PS continues to the Mode / Filter program block.

## Mode Program Block

The Mode program block lets you configure which mode is used to display weight. (Metrology PCB jumper must be removed.)

To configure the program block:

1. Press UNITS to display the **nodE** prompt, then press ZERO.
2. Press ZERO to display the desired mode. Options include:

- Normal
  - Expanded – typically x10
  - Classifier – weight classifier rounding
3. Press UNITS to accept the displayed mode option. The PS continues to the Filter program block.

---

## Filter Program Block

The Filter program block lets you configure the noise filter that is used in determining weight stability on the scale. The PS disregards environmental noise such as vibrations that affect the weighing accuracy according to the filter setting.

To configure the program block:

1. Press UNITS to display the **FiLteR** prompt, then press ZERO.
2. Press ZERO to display the desired noise filter. Options include:
  - Light
  - Heavy
  - Medium
3. Press UNITS to accept the displayed filter option. The PS continues to the Baud program block.

Settling time increases with heavier filter setting.

---

## Baud Program Block

This program block lets you set the baud rate (the speed at which data is transmitted in bits-per-second).

To configure the program block:

1. Press UNITS to display the **bAud** prompt, then press ZERO.
2. Press ZERO to display the desired baud rate. Options include:
  - 300
  - 1200
  - 2400
  - 4800
  - 9600
  - 19200
3. Press UNITS to accept the displayed baud rate option. The PS continues to the ASCII program block.

---

## ASCII Program Block

The ASCII program block lets you select the number of bits that make up an ASCII character. Most METTLER TOLEDO equipment communicates using seven data bits.

To configure the program block:

1. Press UNITS to display the **AScii** prompt, then press ZERO.

2. Press ZERO to display the desired bit selection. Options include:
  - Seven (7)
  - Eight (8)
3. Press UNITS to accept the displayed option. The PS continues to the Parity program block.

---

## Parity Program Block

The Parity program block lets you select the parity option for data transmission. Parity is an error checking mechanism. To configure the program block:

1. Press UNITS to display the **PAr** prompt, then press ZERO.
2. Press ZERO to display the desired parity option. Options include:
  - Space
  - Mark
  - Odd
  - Even
  - None
3. Press UNITS to accept the parity option. The PS continues to the Stop program block.

Note: options will depend on the ASCII bits selection.

---

## Stop Program Block

The Stop program block lets you select the number of stop bits to be transmitted for each ASCII character. Most METTLER TOLEDO products will work with either 1 or 2 stop bits.

To configure the program block:

1. Press UNITS to display the **StoP** prompt, then press ZERO.
2. Press ZERO to display 1 or 2 stop bits, then press UNITS to accept the displayed selection. The PS continues to the Protocol program block.

---

## Protocol Program Block

Toledo protocol contained in the PS is identical to the Toledo protocol within the industrial builds of the 8213. The PS replaces the industrial versions of the 8213.

The Protocol program block lets you select a pre-configured set of scale commands. Protocols are configured in the factory according to your ordering information. This section gives instructions on how to select a protocol only.

To select a protocol:

1. Press UNITS to display the **Proto** prompt, then press ZERO.
2. Press ZERO to display the desired protocol. Options include:
  - Toledo (MT command set)
  - Proto 1 (Fed Ex command set)
  - Proto 4 (UPS command set)
  - Proto 5 (Purolator command set)

- Proto 2 (Weightronix SC-320 com. set)
- Proto 3 (Weightronix 3870 com. set)
- Proto 6 (Airborne command set)
- Disable(turns off communications)

3. Press UNITS to accept the protocol option. The PS continues to the Sleep program block.

Note: Protocols 1-6 are not available on the PS6L.

---

## Sleep Program Block

Power is saved if RS-232 interface is not used.

In normal operating mode the scale is powered-up by pressing the ZERO (ON/OFF) key.

The Sleep program block lets you configure the sleep timer. Power consumption is reduced by approximately 60% while in Sleep mode.

**IMPORTANT: For battery powered units, it is important to turn battery power off (using the rocker switch underneath the scale) when the scale is not in use.**

To configure the Sleep program block:

1. Press UNITS to display the **SLEEP** prompt, then press ZERO.
2. Press ZERO to display the desired sleep timer option. Options include:
  - **Disable**—the PS will not power-down regardless of time between transactions (inactivity)
  - **5 min**—the PS will enter Sleep mode after 5 minutes with no activity
3. Press UNITS to accept the sleep timer option. The PS continues to the GEOCAL™ / End program block.

---

## GeoCal Program Block

This program block lets you enable the GEOCAL™ prompt at power-up. If this setting is enabled, the unit will prompt for the entry of a GEOCAL™ code after setup is exited.

To configure the program block:

1. Press UNITS to display the **GEo in** prompt, then press ZERO.
2. Press ZERO to display the desired approval setting, enable or disable.
3. Press UNITS to accept the displayed option. The PS continues to the Cal program block.

---

## Calibration Program Block

See Chapter 2 for detailed information about activating GEOCAL™ and calibrating the PS. (Metrology PCB jumper must be removed.)

## End Program Block

The End program block lets you save the configuration and exit setup mode. This program block does not have parameters to configure.

To use the End program block:

1. Press UNITS to display the **End** prompt.
2. Press ZERO to display the desired exit option. Exit options include:
  - **Default**—Reset all program block parameters to standard MT values, then exit setup mode.
  - **Abort**—Exit setup mode but do not save any changes made in this session.
  - **Save**—Do not exit setup mode at this time. PS returns to the first program block.
  - **Def x**—Company specific.

If you are using software from one of the following carriers your PS scale can be completely configured for use by selecting one of the options below (not available on PS6L):

<u>Carrier</u>	<u>End prompt selection</u>
• RPS	Default
• DHL	Default
• Fed Ex	Def 1
• UPS	Def 4
• Purolator	Def 5
• Airborne	Def 6

Choosing a default, rather than selecting SAVE, will automatically set the following program blocks:

- |                    |                |
|--------------------|----------------|
| • Zero Cursor      | • PARITY       |
| • Power-up Units   | • STOP BITS    |
| • Units Switching  | • Sleep Mode   |
| • Filter           | • Protocol     |
| • BAUD             | • Display Mode |
| • ASCII BIT String |                |

The PS6L only has the Default option. This is the standard MT communications parameters and command set.

If your carrier is not listed try the default option, otherwise contact your carrier.

3. Press UNITS to carry out the displayed option.

# 4

## Operating Instructions

This chapter gives information that an operator will need to become familiar with the scale and perform its functions in normal operating mode. The scale operates based on the current program block configuration. Please refer to Chapter 3 for more information on configuring the PS.

### Keypad and Display

The PS has a simple LCD weight display with two keys that are used to perform scale functions. Weight is displayed using up to six 7-digit numeric characters with decimal point and comma. Cursors (horizontal bars) at the bottom of the display indicate current weight units and zero condition when zero is captured.

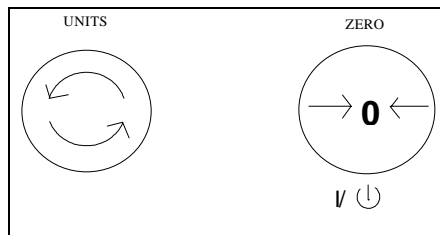


Figure 4-a: PS Keypad

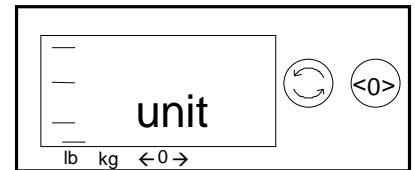


Figure 4-b: PS Display

### Operator Functions

The PS supports one primary function: parcel weighing. Other operator functions described in this chapter include:

- Unit switching
- Zero the scale
- Repower from Sleep mode



---

## Parcel Weighing

You may wish to recapture zero periodically when the scale is in continuous use. It is not necessary to press ZERO before each transaction.

Before weighing parcels on the PS, please be sure the scale is configured as desired (Chapter 3) and power is applied as instructed in Chapter 2 of this manual.

To weigh a package:

1. Press ZERO to capture zero. The display reads **0.00** and a cursor appears above the zero indicator in the legend.
2. Place the parcel to be weighed on the platter. The display reads the parcel weight with a cursor above the current weight units legend.
3. Record the parcel weight, then remove the parcel from the platter.

---

## Unit Switching

If primary and alternate units are the same (as configured in the Alternate Units program block), unit switching is effectively disabled. The UNITS key displays the same weight and unit when the UNITS key is pressed.

The PS lets you view the displayed scale weight in primary and secondary units. Alternate units must be configured (in setup mode) to convert and display in alternate units.

To switch units:

1. With scale weight displayed, press the UNITS key. The PS automatically converts the displayed weight to weight in the alternate unit as indicated by the cursor.
2. Press UNITS again to reconvert alternate units back to primary units and return weight display to the primary unit.

---

## Zeroing the Scale

If zero change exceeds the 2% limit, the scale will not capture zero. In this case, cycle power or recalibrate.

Periodically the PS scale may need to be re-zeroed. Press ZERO to capture zero. The scale will re-zero provided the weight is within 2% of the scale capacity. The PS display will read 0.00

---

## Repowering from Sleep

If the PS display is blank after a period of inactivity, the ZERO key “awakens” the unit from its power-saving (sleep) mode.

When the ZERO key is pressed, the PS goes through its power-up sequence and returns to normal operating mode.

# 5

## Service and Maintenance

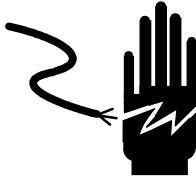

This chapter gives information on servicing, upgrading, and maintaining the PS including cleaning and regular maintenance, troubleshooting, and installing optional equipment kits.

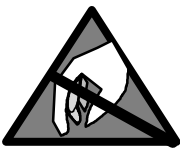

### Cleaning and Regular Maintenance

You may need to wipe the keypad and platter with a clean, soft cloth that has been dampened with a mild cleaner. Do not use any type of industrial solvent such as toluene or isopropanol (IPA). These may damage the display finish. Do not spray cleaner directly onto the terminal.

### Troubleshooting

The PS shipping scale is designed to be virtually error free and reliable. If problems do occur, do not attempt to repair the scale before you have determined the source of the problem. Record as much information as possible about what has happened including any messages and physical responses. The following troubleshooting information may help to determine the cause of the problem.

	 <b>WARNING</b>
	DISCONNECT ALL POWER TO THIS UNIT BEFORE INSTALLING, SERVICING, CLEANING, OR REMOVING THE FUSE. FAILURE TO DO SO COULD RESULT IN BODILY HARM AND/OR PROPERTY DAMAGE.

	 <b>CAUTION</b>
	OBSERVE PRECAUTIONS FOR HANDLING ELECTROSTATIC SENSITIVE DEVICES.

## Error Code Section

Error codes are displayed on the weight indicator with a leading “E” to distinguish themselves from weight data.

<u>Code</u>	<u>Meaning</u>	<u>Action</u>
E1	ROM (checksum) error	Call Mettler Toledo Service
E2	RAM error	Call Mettler Toledo Service
E3	EEPROM error	Re-calibrate scale or replace load cell
E4	TC error	Call Mettler Toledo Service
E5	Serial Communications (Data) error	Verify connection from the scale to the host.

## Wall Transformer

The wall transformer (when connected to the proper AC input and disconnected from the scale) may read as high as 18.3 VDC. The wall transformer should read from 7 VDC, up to 17 VDC when connected to the scale. If the voltage measured is not within this range, replace the wall transformer. The center conductor of the wall transformer is positive.

## Main PCB

From PC - <b>DB25-F</b> RS232 SERIAL PORT		To <b>PS60 - DB9-M</b> (Male)	
2	TRANSMIT	3	RECEIVE
3	RECEIVE	2	TRANSMIT
7	SIG GROUND	1,4,5,7, or 9	SIG GROUND

**Table 1 Standard PC RS232 DB-25 To PS**

From PC - <b>DB9-F</b> RS232 SERIAL PORT		To <b>PS60 - DB9-M</b> (Male)	
2	RECEIVE	2	TRANSMIT
3	TRANSMIT	3	RECEIVE
5	SIG GROUND	1,4,5,7, or 9	SIG GROUND

**Table 2 Standard PC RS232 DB9 To PS**

To test the Main PCB: (Unit must be setup for standard MT communications (Default)):

1. Start your communications software such as ComTool (Part Number KN000000K64).
2. Setup your software for:
  - 7 data bits
  - Even parity
  - 1 stop bit
  - Baud rate that matches the computer's baud rate

---

## Blank or Half Display

Remove power then check the display interface harness from the scale to the display. Apply power the unit. If the blank display continues, replace the 0270 Display.

---

## No Keypad Interaction

To test operation of the keypad, remove power, then reapply. With power to the unit, attempt to enter setup mode by pressing and holding the UNITS key. If the display does not indicate setup mode, replace the 0270 Display.

---

## Indicator Locked

To test operation of the indicator, remove power, then reapply. With power to the unit, add weight. If no motion is displayed, replace either the load cell or the Logic PCB.

---

## Load Cell Replacement


For load cell replacement, please use current revision of 15302300A for PS60 (3000d) and PS6L, use 15828000A for PS60 multi-interval versions (2x3000d), and 15834400A for PS2+ models.

---

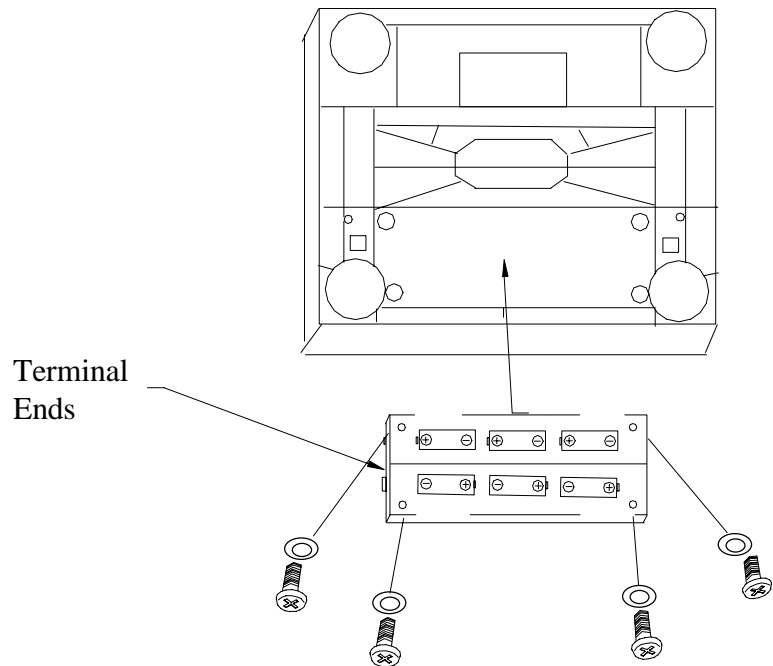
## Installing the Battery Kit

The following instructions describe battery installation (alkaline cell) for the PS shipping scale (PS60 model only). Under normal operation, battery life is approximately 40 hours. Sleep mode reduces power consumption by 60% and

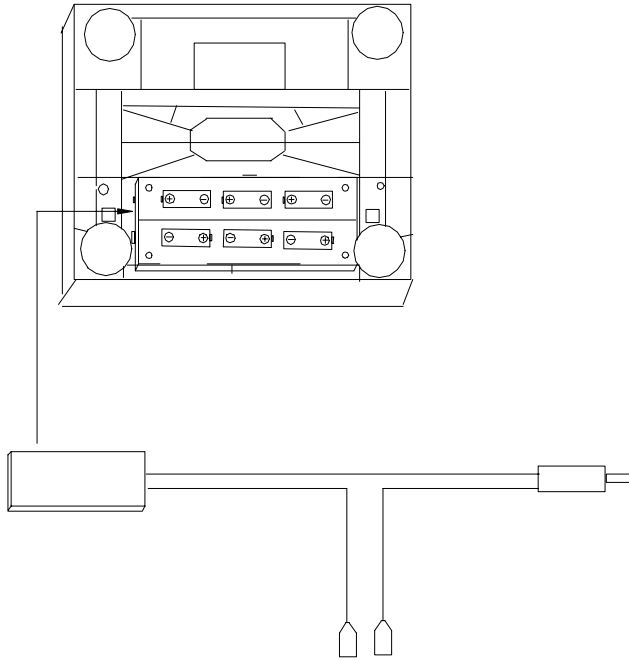
extends battery life. For prolonged battery life, turn the scale off when not in use. Rechargeable Ni-Cad batteries can also be used.

	<b>WARNING!</b>
	<b>Always remove all power before operating on any equipment. Mettler-Toledo recommends that only qualified technicians open the unit up for maintenance and repair. If you must open the PS, read this section carefully to avoid damage to the internal components.</b>

1. Remove the power and turn the PS over on the on the platter side. Be extremely careful not to damage the display.
2. Install the plastic D-cell battery holder P/N 13257500A. Attach with four M3-0.5X8 Pan HD screws and washers. Note the polarity of the battery holder and terminal positions.

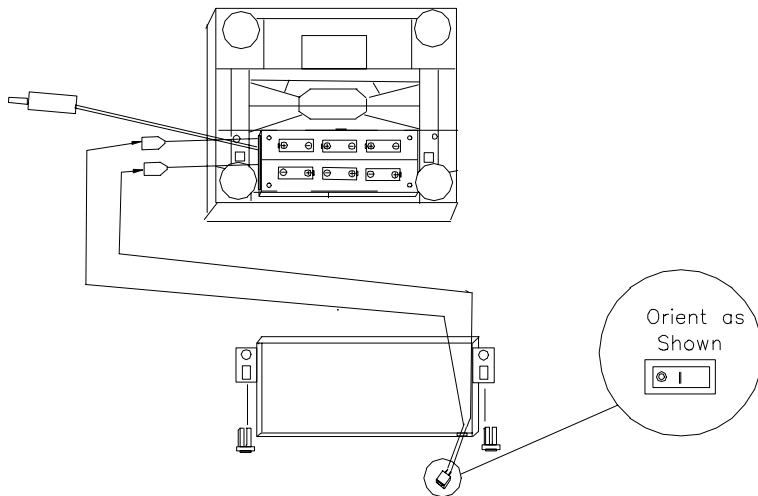


3. Attach the harness assembly (P/N 14544600A) to the battery holder.



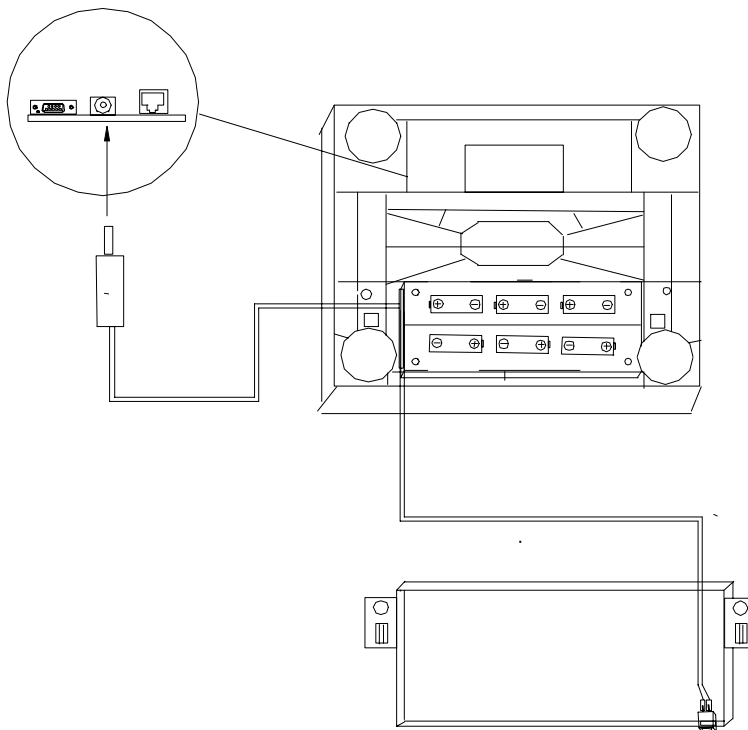
Six alkaline 1.5 VDC, D-size batteries (P/N 13293700A) are required for operation.

4. Insert the on/off rocker switch (P/N 14262400A) into the switch hole of the battery cover (P/N 14545200A) noting the orientation of the switch.

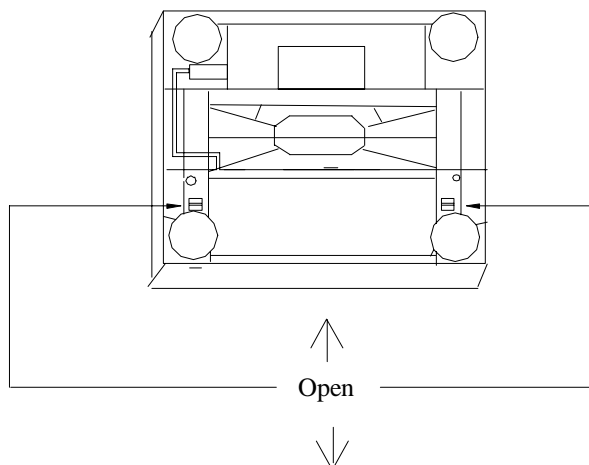


5. Insert the two fasteners (P/N 12051300A) into the battery cover.
6. Install the terminal spade lugs on the terminals of the switch that is installed into the battery cover.

7. Connect the plug into the receptacle on the Logic PCB as shown below and install the six 1.5 VDC, D-size batteries.



8. Carefully attach the battery cover paying close attention to the routing of the cable to the Main PCB. Close the battery cover fasteners.

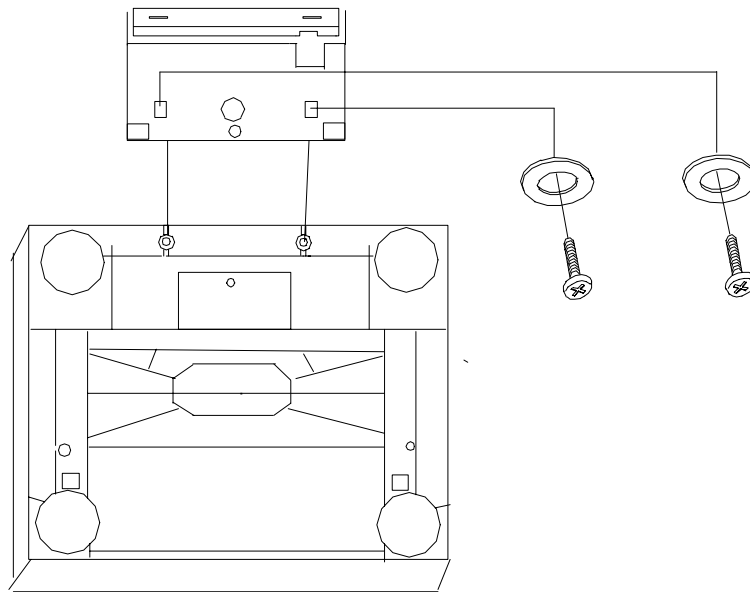




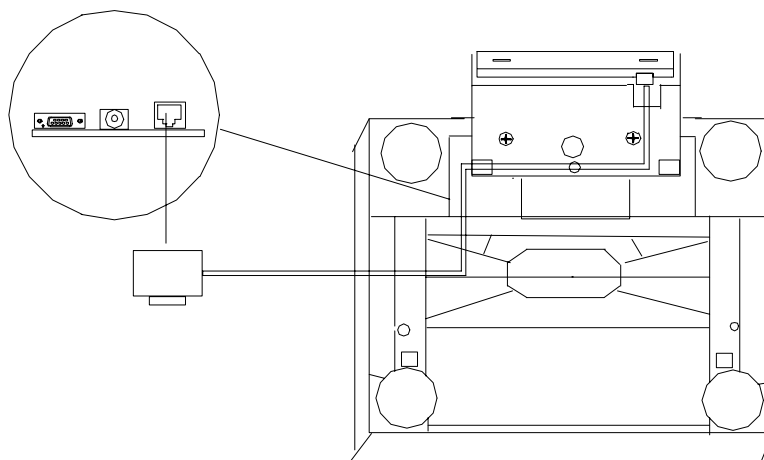
## Installing the Base Mount Display

A base mount display unit (0270, 2-key indicator) can be installed if one was not ordered initially for the PS shipping scale (PS60 and PS6L models only). To install the base mount display:

1. Attach the display unit to the bottom of the PS with the two M4 10mm screws (P/N R0550100A) as shown below:



2. Install the display interface harness from the display as shown. Insert the display interface harness into the PCB as shown. Make sure to route the cable as shown to prevent damage to the cable.



## Installing the Ball Top Transfer Platter

A ball top transfer platter is available for the PS. (Ball top transfer platters are standard on the PS2+ model.) To install the ball transfer platter:

1. Remove the platter supplied with the PS.
2. Place the ball top transfer platter on the PS.
3. Ensure that the ball top transfer platter drops into place without mechanical interference.

Note: If the unit fails to capture zero after power-up, re-calibration will be required.

# 6

## Parts and Accessories

Please refer to the following diagrams and parts lists when ordering parts and accessories for the PS shipping scale.

# PS60/PS6L Scale Parts

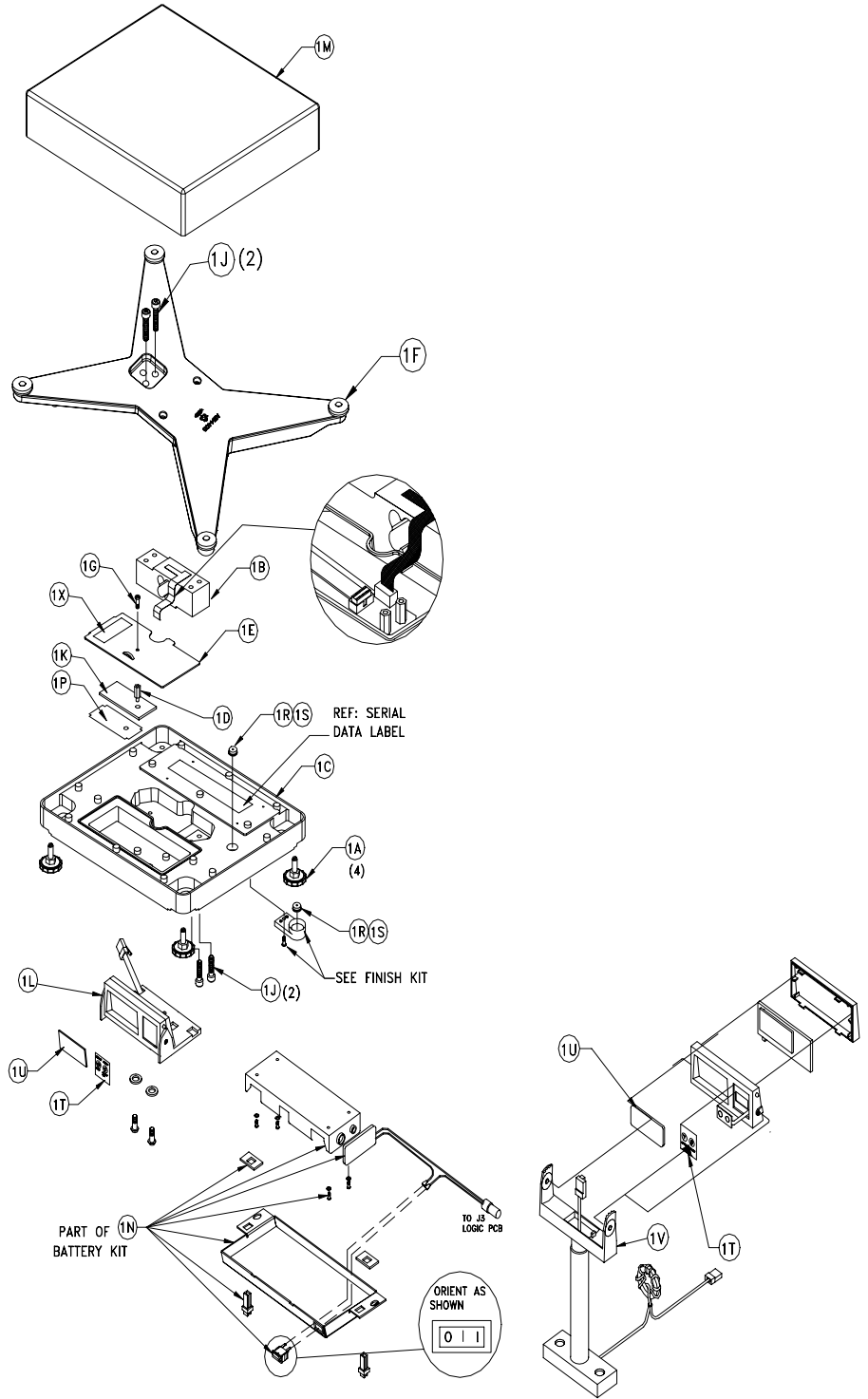


Figure 6-a

PARTS LIST			
SYM	QTY	PART NO.	DESCRIPTION
1A	4	14100500A	ADJUSTABLE FOOT
1B	1	15302300A	L/C ASSY,QUAL,PS60,300,PLUS MULTIPURPOSE
	1	15828000A	L/C ASSY,QUAL.,PS60,2X3000,PLUS GEO
1C	1	15439900A	PS60 BASE
1D	1	14497000A	M4X16mm M/F HEX STANDOFF
1E	1	14544000A	8270 PCB COVER PLATE
1F	1	15809000A	PS60 SPIDER ASSEMBLY
1G	1	R0514600A	M4 X 8 HEX DRILLED SCREW
1H	2	14647700A	1.5 X 1.0 LOADCELL SPACER
1J	4	R0517600A	M8X30 SOC CAP SCREW
1K	1	15683100A	MAIN PCB ASSY.,,PS
1L	1	14543000A	BASE MTG. INDICATOR ASSY,8270
	1	14824700A	REMOTE SINGLE INDICATOR ASSY.
1M	1	14543200A	PLATTER ASSY. S.S.,8270
	1	14543200B	PLATTER ASSY.,S.S. 8270
	1	15802800A	PLASTIC PLATTER,DHL
	1	14819500B	PLASTIC PLATTER,COOL GRAY
	1	15083400A	S.S. PLATTER ASSY., OPEN CORNER
	1	15083400B	S.S. PLATTER ASSY.,OPEN CORNER
1N	1	14544500A	D-CELL BATTERY ASSY.,8270
1P	1	14591600A	LOGIC INSULATOR
1R	1	14813500B	LEVEL W/O ADHESIVE
1S	SUFF	146052R	409 ADHESIVE SPECIFCATIONS
1T	1	14488900A	0270 OVERLAY
	1	14806600A	OVERLAY KEYPAD WITH NO LOGO
1U	1	14489000A	0270 LENS
	1	14912300A	PS60 MULTI INTERVAL LENS
	1	14912200A	PS60 60KG OIML DISPLAY LENS
	1	14912400A	PS60 WT. CLASSIFIER DISPLAY LENS
	1	14912500A	PS60 NTEP MULTI INT DISPLAY LENS
	1	15362500A	PS6L WGT CLASSIFIER DISPLAY LENS
1V	1	14917300A	TOWER MT. DISPLAY ASSY.
*	1	14455000A	8213,DHL CABLE
*	1	13786200A	POLYBAG 18"X18"
1W	0.4"	142128R	ACRYLIC FOAM TAPE
1X	1	14275100A	P.B. DOMESTIC FCC, LABEL

**NOTE:** Some part numbers may have a revision letter in front of them.

## PS2+ Scale Parts

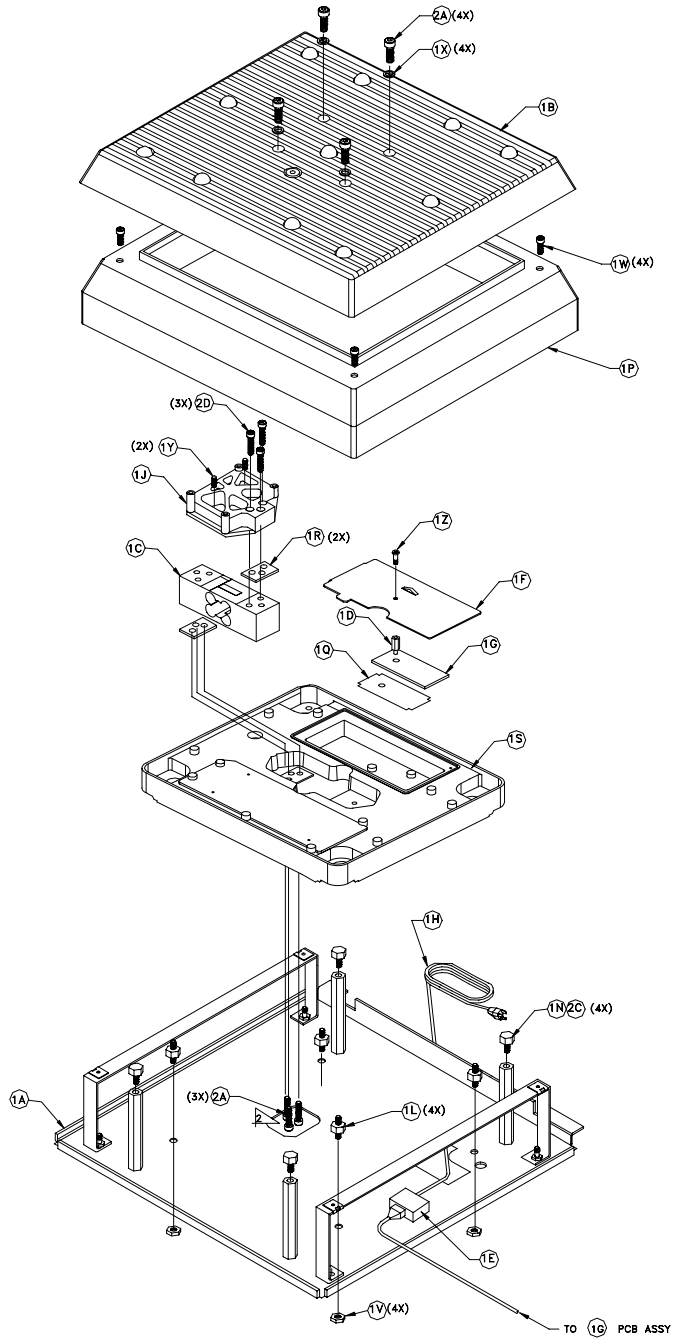
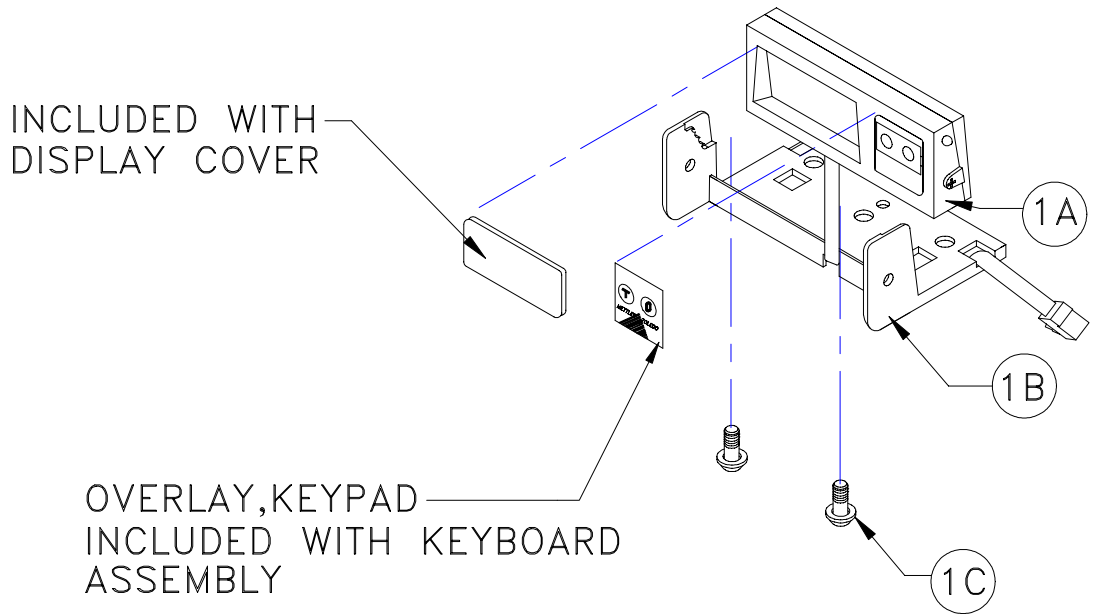


Figure 6-b

CONSISTS OF			
SYM	QTY	PART NO.	DESCRIPTION
1A	1	15791400A	ASSY,BASE PLATE,JN64/PS2+
1B	1	12814200A	PANROLLER, TOP
1C	1	14082800A	DATA PLATE
1D	1	14497000A	STANDOFF,HEX,M4,M/F,16MM,BRASS
1E			
1F	1	14544000A	COVERPALTE,8270 PCB
1G	1	H14621600A	PCB ASSY,8270
1H			
1J	1	15396700A	SPIDER,SANDCAST JN64
1K			
1L	4	15395000A	ADAPTOR,MALE SPACER
1M			
1N	4	A15395600A	ADAPTOR,OVERLOAD STOP
1P	1	A15396300C	SKIRT,PLASTIC,PS2+
1Q	1	A14591600A	INSULATOR LOGIC,8270
1R	2	15366000A	SPACER,L/C 1.5X1.25
1S	1	A14647800D	BASE,MACHINED,PW200
1T			
1U			
1V	4	R0365600A	NUT,HEX 5/16-18
1W	4	R0369800A	SCREW TAP,#8 X 5/8
1X	4	R0369900A	WASHER,ANSI TYPE A
1Y	2	R0532200A	SCREW SET,M8X30,W/NYLOK
1Z	1	R0514600A	SCREW M4-0.7X8 HEX DRILLED
2A	7	R0517600A	SCR,CAP M8X30 SOC
2B			
2C	1	141831R	SPEC,ADHESIVE LOCTITE
2D	3	R0543000A	SCREW,HEX HD,M8X35
2E	1	A14275100A	LABEL,FCC,P.B. DOMESTIC

**NOTE:** Some part numbers may have a revision letter in front of them.

## Weight Display Parts



Parts List—Weight Display			
Ref #	Part Number	Description	Qty
1A	15705300B	Display PCB Assembly W/Cable	1
1B	15640800A	Display Base	1
1C	R0550100A	Screw, M4X10, PH, THD, w/Washer	2

**NOTE:** Some part numbers may have a revision letter in front of them.



## Appendix: Host Interface

The METTLER TOLEDO PS shipping scale can function as a peripheral device to a host computer. In host mode you can:

- Calibrate the scale
- Configure setup parameters
- Request and receive weight data when the scale is in a stable state
- Request and receive the scale's status when the scale is in an unstable or invalid state
- Zero the scale and/or switch units (depending on setup)

The scale does not reply to host weight commands if it is in setup mode or if the scale cannot capture zero on power-up.

This section presents information and instructions on how to use the PS in host mode.

---

## Communication Parameters

Data is transmitted and received by the scale through an RS-232 serial port connection. The following communication parameters are supported:

- Baud Rate (300, 1200, 2400, 4800, 9600, 19200)
  - Parity (no, even, odd, mark, space)
  - ASCII bit string (7 or 8)
  - Stop bits (1, 2)
  - The scale only responds to commands, continuous data output is not available.
- 

## Protocols

The scale can be programmed to respond to a selected "menu" of defined protocols. The host sends requests to the scale in the form of ASCII data and control characters as determined by the selected protocol. The scale responds to the host with a string of ASCII characters. ASCII characters and their binary conversions are listed in the following table:

ASCII Characters and Conversions

ASCII CHAR.	DEC	HEX	76543210	ASCII CHAR.	DEC	HEX	76543210
NULL	0	00	00000000	SPACE	32	20	00100000
SOH	1	01	00000001	!	33	21	00100001
STX	2	02	00000010	"	34	22	00100010
ETX	3	03	00000011	#	35	23	00100011
EOT	4	04	00000100	\$	36	24	00100100
ENQ	5	05	00000101	%	37	25	00100101
ACK	6	06	00000110	&	38	26	00100110
BELL	7	07	00000111	'	39	27	00100111
Backspace	8	08	00001000	(	40	28	00101000
TAB	9	09	00001001	)	41	29	00101001
Line Feed	10	0A	00001010	*	42	2A	00101010
Vert. Tab	11	0B	00001011	+	43	2B	00101011
Form Feed	12	0C	00001100	,	44	2C	00101100
Carr. Return	13	0D	00001101	-	45	2D	00101101
Shift Out	14	0E	00001110	.	46	2E	00101110
Shift In	15	0F	00001111	/	47	2F	00101111
Data Link Esc	16	10	00010000	0	48	30	00110000
DC1	17	11	00010001	1	49	31	00110001
DC2	18	12	00010010	2	50	32	00110010
DC3	19	13	00010011	3	51	33	00110011
DC4	20	14	00010100	4	52	34	00110100
NAK	21	15	00010101	5	53	35	00110101
SYNCH IDLE	22	16	00010110	6	54	36	00110110
End Trans.	23	17	00010111	7	55	37	00110111
CANCEL	24	18	00011000	8	56	38	00111000
End Of Medium	25	19	00011001	9	57	39	00111001
Substitute	26	1A	00011010	:	58	3A	00111010
ESCAPE	27	1B	00011011	;	59	3B	00111011
FS (Cur. Right)	28	1C	00011100	<	60	3C	00111100
GS (Cur. Left)	29	1D	00011101	=	61	3D	00111101
RS (Cursor Up)	30	1E	00011110	>	62	3E	00111110
US (Cur. Down)	31	1F	00011111	?	63	3F	00111111

Appendix: Host Interface  
Scale Status Byte Format

ASCII CHAR.	DEC	HEX	76543210	ASCII CHAR.	DEC	HEX	76543210
@	64	40	01000000	`	96	60	01100000
A	65	41	01000001	a	97	61	01100001
B	66	42	01000010	b	98	62	01100010
C	67	43	01000011	c	99	63	01100011
D	68	44	01000100	d	100	64	01100100
E	69	45	01000101	e	101	65	01100101
F	70	46	01000110	f	102	66	01100110
G	71	47	01000111	g	103	67	01100111
H	72	48	01001000	h	104	68	01101000
I	73	49	01001001	i	105	69	01101001
J	74	4A	01001010	j	106	6A	01101010
K	75	4B	01001011	k	107	6B	01101011
L	76	4C	01001100	l	108	6C	01101100
M	77	4D	01001101	m	109	6D	01101101
N	78	4E	01001110	n	110	6E	01101110
O	79	4F	01001111	o	111	6F	01101111
P	80	50	01010000	p	112	70	01110000
Q	81	51	01010001	q	113	71	01110001
R	82	52	01010010	r	114	72	01110010
S	83	53	01010011	s	115	73	01110011
T	84	54	01010100	t	116	74	01110100
U	85	55	01010101	u	117	75	01110101
V	86	56	01010110	v	118	76	01110110
W	87	57	01010111	w	119	77	01110111
X	88	58	01011000	x	120	78	01111000
Y	89	59	01011001	y	121	79	01111001
Z	90	5A	01011010	z	122	7A	01111010
[	91	5B	01011011	{	123	7B	01111011
\	92	5C	01011100		124	7C	01111100
]	93	5D	01011101	}	125	7D	01111101
^	94	5E	01011110	~	126	7E	01111110
_	95	5F	01011111		127	7F	01111111

### Toledo Protocol Host Commands

Following is a listing of host commands and scale responses. Brackets “<>” are used to indicate that the characters within are a description of the transmitted data and are not part of the transmitted data string. <STX> indicates an ASCII Start Of Text character (HEX 02). <CR> indicates an ASCII Carriage Return (HEX 0D).

Host Command	Description	Scale Response
W*	Send normal resolution weight data.	<STX>XXX.XX<CR> (for PS60 lb builds) or <STX>XXXX.X<CR> (for PS2+ 250 x 0.1 lb build) or <STX>XXX.XX<CR> (for PS2+ 100 x 0.05 kg build) or <STX>XXXlbXX.Xoz<CR> (for PS6L 150 lb-oz build) For PS6L 150 x 0.005 lb Multi-Range build) <STX>XX.XXX<CR> (x 0.005 lb increment) <STX>XXX.XX<CR> (x 0.05 lb increment) <STX>XXXX.X<CR> (x 0.1 lb increment) <STX>?<StatusByte><CR> (if current weight is invalid)
H	Send high resolution weight data.	<STX>XXX.XXX<CR> (for PS-60 lb builds) or <STX>XXXX.XX<CR> (PS2+ 250 x 0.1 lb build) or <STX>XXX.XXX<CR> (for PS2+ 100 x 0.05 kg build) or <STX>XXXXXX<CR> (for PS6L 150 lb-oz build) or <STX>XXX.XXX<CR> (for PS6L 150 x 0.005 lb build) <STX>?<StatusByte><CR> (if current weight is invalid)
Z	Zero scale unless in motion or out of range under or over capacity.	<STX>?<status byte><CR> Scale status byte.
A	Perform a confidence test of RAM, ROM, and EEPROM. Store results of tests in confidence status byte for later retrieval.	<STX><CR> The scale echoes back a <STX><CR> indicating the command was received.
B	Send results of confidence test.	<STX>?<confidence byte><CR> Confidence test status byte.
C	Initiate host interface scale configuration.	<STX>CALIBRATE?<CR>, See below
S	Initiate host interface setup.	<STX>SETUP?<CR>, See below
E	Enter “echo” serial port test mode. All characters sent to the scale will be echoed back to the host. “F” terminates the test.	<STX>E<CR> The scale echoes back the letter E indicating the command was received.
F	Exit “echo” serial port test mode.	<STX>F<CR> The scale echoes back the letter F indicating the command was received.
L	Switch to and send standard weight.	Same as for W above.
K	Switch to and send metric weight.	Same as for W above.

Table Note:\* A status byte message <STX>?<status byte><CR> is sent in place of the requested weight data field if the scale is in motion, under zero, or over capacity when the weight data request is sent. The question mark “?” indicates that the following data is a non-ASCII status byte rather than weight data. See below for status byte definitions.

## Scale Status Byte Format

When communicating in host mode using the standard Toledo protocol, the PS may send status bytes containing information such as motion and over/under-capacity conditions. The message **<STX>?<status byte><CR>** indicates transmission of a status byte. The status byte sent is an ASCII character that must be converted to binary form for decoding the bits. The ASCII character table with binary conversion (given in the previous section) can be used to convert status bytes. The bits of the status byte in the standard Toledo protocol are defined as follows:

Status Byte	
Bit No.	Bit Description
6	Always 1
5	Always 1
4	1 = Center of zero 0 = Not at center of zero
3	1 = Outside zero capture range 0 = Within range
2	1 = Under zero 0 = Within weighing range
1	1 = Over capacity 0 = Within weighing range
0	1 = Scale in motion 0 = Stable weight data

## Scale Confidence Byte Format

When communicating in host mode using the standard Toledo protocol, the host may ask the PS to store and send confidence bytes containing information about RAM, ROM, and EEPROM testing. The message **<STX>?<confidence byte><CR>** indicates transmission of a confidence byte. The confidence byte sent is an ASCII character that must be converted to binary form for decoding the bits. The ASCII character table with binary conversion (given in the previous section) can be used to convert status bytes. The bits of the confidence byte in the standard Toledo protocol are defined as follows:

Status Byte	
Bit No.	Bit Description
6	1 = New status data available. 0 = Host has read data.
5	Bit is always a 0.
4	1 = ROM test failed. 0 = ROM test passed.
3	1 = RAM test failed. 0 = RAM test passed.
2	Bit is always a 0.
1	1 = Calibration Required. 0 = Calibration Data OK
0	1 = EEPROM test failed 0 = EEPROM test passed.

## Calibrate Using Host Interface

The PS shipping scale can be calibrated using the host interface. The command to initiate the calibration sequence is available in the METTLER TOLEDO command set. Calibration is based on the current scale configuration for units and capacity/increment. These can be changed (through the keypad or the host interface) before calibrating the scale through the host interface.

To calibrate using the host interface:

1. Remove the platter, break the legal-for-trade seal (if present), and remove the sub-platter to give access to the PCB.
2. Remove the calibration jumper (W1). Refer to the calibration diagram in Chapter 2 of this manual. DO NOT ENTER SETUP MODE. The PS does not respond to host commands in calibration mode.
3. Send the command **C** to initiate calibration sequence. The scale responds **<STX>CALIBRATE?<CR><LF>**.
4. Send the command **Y** to continue with the calibration sequence, or send the command **N** to abort the sequence. The scale responds **<STX>UNLOAD SCALE- Y?<CR><LF>**.
5. Remove any weight on the platter and send the command **Y** to continue. A stable zero reading is taken, then the scale responds **<STX> ADD 50 LB- Y? <CR><LF>** or **<STX> ADD 20 KG- Y? <CR><LF>** or **<STX> ADD 125 LB- Y? <CR><LF>** or **<STX> ADD 50 KG- ? <CR><LF>**.

6. Add the requested calibration weight to the scale, then send the command **Y** to continue. The scale responds **<STX> CAL DONE <CR><LF>** or **<STX> INCORRECT AMOUNT OF WEIGHT <CR><LF>**.

## Configure Scale Parameters Using Host Interface

Configuration parameters can also be sent using the host interface. A command to send a new scale configuration over the host interface is available in the METTLER TOLEDO command set.

To configure using the host interface:

1. From the host computer, send the host command **S** to initiate the configuration setup sequence. The scale responds with the current set bytes:

**<STX>X<sub>1</sub>X<sub>2</sub>X<sub>3</sub>X<sub>4</sub>X<sub>5</sub>X<sub>6</sub>X<sub>7</sub>X<sub>8</sub>X<sub>9</sub>X<sub>10</sub>X<sub>11</sub>X<sub>12</sub>X<sub>13</sub>X<sub>14</sub>X<sub>15</sub>X<sub>16</sub>X<sub>17</sub>X<sub>18</sub>X<sub>19</sub>X<sub>20</sub><CR>**

2. Determine the command string representing the configuration parameters that are desired. The command string consists of 22 characters beginning with an ASCII **<STX>** and terminated with an ASCII **<CR>**. The command string represents a 10-byte bit-mapped setup array stored in EEPROM. The 10-byte array is expanded for serial transmission so that the high-order four bits of each byte are zeroes and the low-order four bits are numbers representing the desired option for each program block. See the table below for definitions of each byte.

The table below lists the programming options available in each program block as they are used in Host Interface Setup. When downloading the scale setup it is strongly recommended that you modify only the selections that you need to change in the current setup bytes sent by the scale. Leave the values of all other setup bytes as they were when sent from the scale (including the selections that are currently not used). Then send the modified setup bytes string back to the scale.

- X<sub>1</sub> = Not Used, Set to 0x00.
- X<sub>2</sub> = Not Used, Set to 0x00.
- X<sub>3</sub> = Not Used, Set to 0x00.
- X<sub>4</sub> = GEO Entry Required:
  - 0x01 = GEO Entry Required OFF
  - 0x02 = GEO Entry Required ON
- X<sub>5</sub> = Units Switching:
  - 0x01 = Units Switching OFF
  - 0x02 = Units Switching ON
- X<sub>6</sub> = Zero Cursor:
  - 0x01 = Zero Cursor OFF
  - 0x02 = Zero Cursor ON
- X<sub>7</sub> = Not Used, Set to 0x00.
- X<sub>8</sub> = Sleep Mode:
  - 0x01 = Sleep Mode OFF
  - 0x02 = Sleep Mode ON
- X<sub>9</sub> = Serial Port Protocol:
  - 0x01 = Disabled
  - 0x02 = Mettler Toledo
  - 0x03 = FedEx
  - 0x04 = Weightronix WT320
  - 0x05 = Weightronix WT3870
  - 0x06 = UPS
  - 0x07 = Purolator
  - 0x08 = Airborne
- X<sub>10</sub> = Stop Bit:
  - 0x01 = One Stop Bit
  - 0x02 = Two Stop Bits
- X<sub>11</sub> = Parity Bit:
  - 0x01 = Space Parity Bit
  - 0x02 = Mark Parity Bit
  - 0x03 = Odd Parity Bit
  - 0x04 = Even Parity Bit
  - 0x05 = No Parity Bit
- X<sub>12</sub> = Data Bits:
  - 0x01 = 7 Data Bits
  - 0x02 = 8 Data Bits
- X<sub>13</sub> = Baud Rate:
  - 0x01 = 300 Baud
  - 0x02 = 1200 Baud
  - 0x03 = 2400 Baud
  - 0x04 = 4800 Baud
  - 0x05 = 9600 Baud
  - 0x06 = 19200 Baud
- X<sub>14</sub> = Weight Filter:
  - 0x01 = Light Filter
  - 0x02 = Medium Filter
  - 0x03 = Heavy Filter
- X<sub>15</sub> = Weight Display Mode:
  - 0x01 = DLC Echo Test Mode
  - 0x02 = Expanded (X10) Weight Display
  - 0x03 = Normal Weight Display
  - 0x04 = Weight Classifier Display
- X<sub>16</sub> = Power up Units:
  - 0x01 = Metric (kg)
  - 0x02 = Pounds (lb)
- X<sub>17</sub> = Scale Build:
  - 0x01 = 60 x 0.01 kg / 150 x 0.02 lb
  - 0x02 = 60 x 0.02 kg / 150 x 0.05 lb
  - 0x03 = 100 x 0.05 kg / 250 x 0.1 lb
  - 0x04 = 50 x 0.01 kg / 100 x 0.02 lb
  - 0x05 = 60 x 0.02 kg / 150 x 0.05 lb Multi-Range
  - 0x06 = 70 x 0.05 kg / 149 lb x 0.1 oz Multi-Range
  - 0x07 = 150 x 0.005 lb Multi-Range
- X<sub>18</sub> = Not Used, Set to 0x00.
- X<sub>19</sub> = Pushbutton Zero Capture Range:
  - 0x01 = +/- 2% of scale capacity
- X<sub>20</sub> = Not Used, Set to 0x00.



You can obtain the current configuration by sending the S command. Then you can abort without changing by sending the A command to abort.

Before sending the **DONE** reply, the configuration file is analyzed just as if it had been constructed using the keyboard.

3. Send the command desired new set of bytes to the scale:  
 $\langle \text{STX} \rangle Y_1 Y_2 \dots Y_{19} Y_{20} \langle \text{CR} \rangle$
4. The scale will check to make sure the requested bytes are valid, then will echo the request:  $\langle \text{STX} \rangle Y_1 Y_2 \dots Y_{19} Y_{20} \langle \text{CR} \rangle$ . Or, if there were problems with the request, the scale returns the original, **unmodified** setup bytes to let the host know there was a problem:  
 $\langle \text{STX} \rangle X_1 X_2 \dots X_{19} X_{20} \langle \text{CR} \rangle$
5. Send the command **Y** to continue and store the new setup bytes and the scale will respond with  $\langle \text{STX} \rangle \text{DONE} \langle \text{CR} \rangle$  when configuration is complete or  $\langle \text{STX} \rangle \text{ABORT} \langle \text{CR} \rangle$  if the modified bytes had problems.

NOTE: At any time the Host can send an **N** command to abort the Setup Download mode



**METTLER TOLEDO**  
**Scales & Systems**  
1900 Polaris Parkway  
Columbus, Ohio 43240-2020

P/N: A15402600A

(03/01)

METTLER TOLEDO® is a Trademark of Mettler-Toledo, Inc.  
© 2000 Mettler-Toledo, Inc.  
Printed in U.S.A.



A15402600A